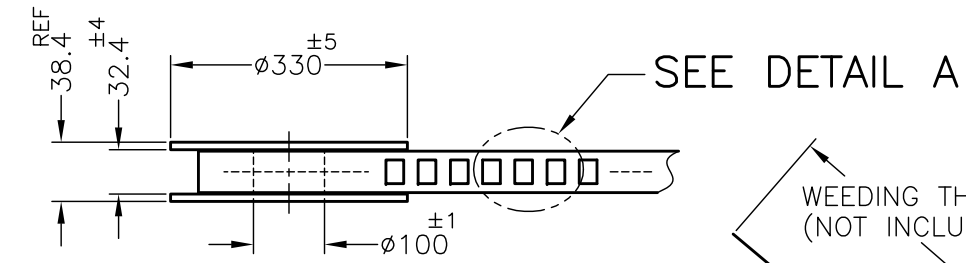
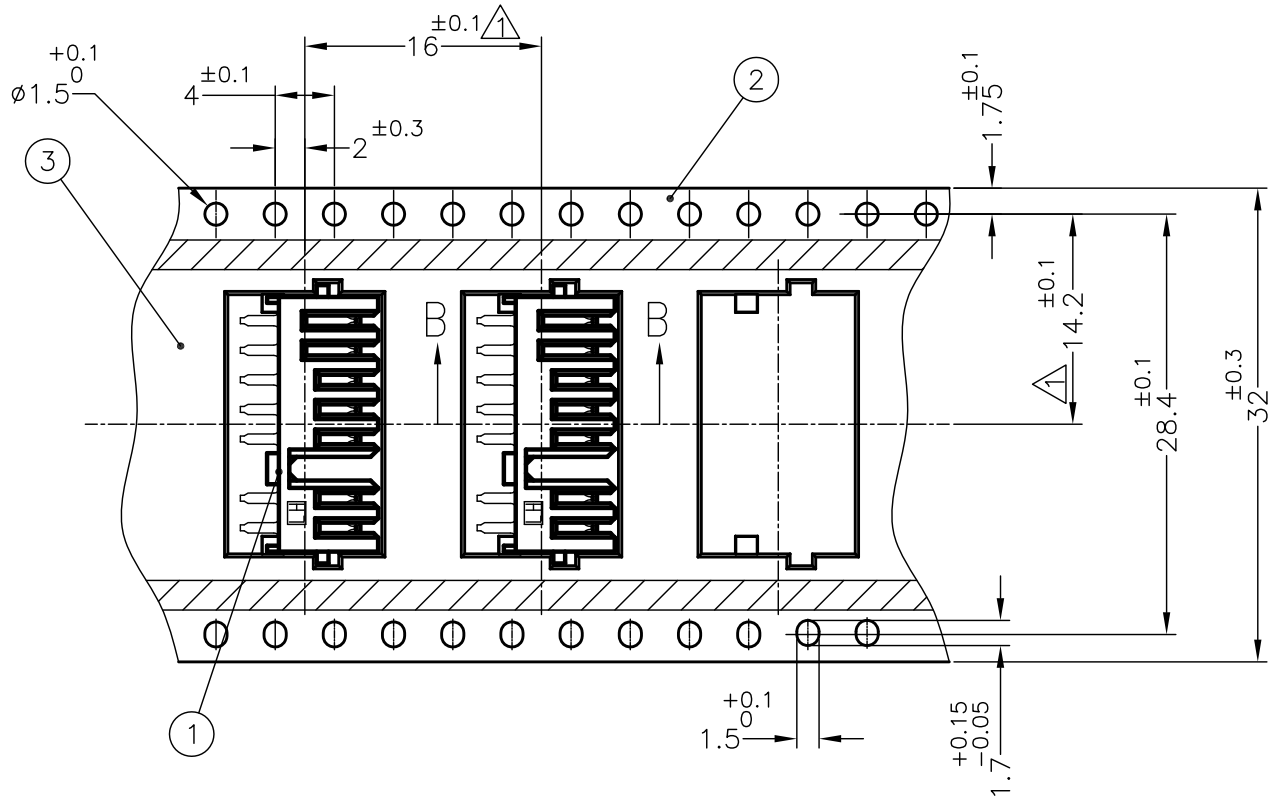


2229293-1; AS SHOWN

△ THIS DEMENSION MEANS CENTER OF THE POCKET.



WEEDING THE COVER TAPE : 300 MIN
(NOT INCLUDE EMPTINESS POCKET)

PELLING ANGLE: 165°~180°
PEELING STRENGTH:
0.1~0.7N (300mm/min.)

PLASTIC REEL
PULL OUT DIRECTION

LABEL DESCRIPTION

TE P/N: 2229293-1
QTY: 900 pcs
D/C:
MADE IN CHINA

20 HOLES MIN. →

WITH PRODUCT CHARGE
QTY: 900 PCS

PART NUMBER

2229293-1

1

COVER TAPE

③

1

EMBOSS CARRIER TAPE

②

900

2229294-1

①

QTY REQD PER ASSY

COMPONENT NAME

NO.

THIS DRAWING IS A CONTROLLED DOCUMENT.

DWN 27SEP2012

CHK K.YAMAGUCHI

Y.YAMAMOTO 27SEP2012

APVD Y.YAMAMOTO 27SEP2012

PRODUCT SPEC

108-78292

APPLICATION SPEC

WEIGHT

CUSTOMER DRAWING



TE Connectivity

NAME
2mm PITCH BATTERY REC. ASSEMBLY 7POS. H=4.0
PACKING

SIZE

CAGE CODE

DRAWING NO

RESTRICTED TO

A3

00779

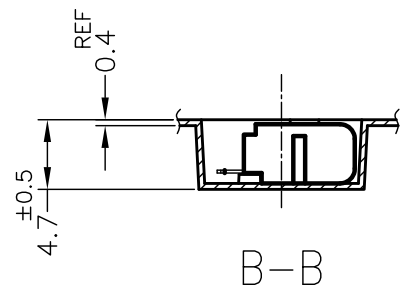
2229293

SCALE 2:1

SHEET 1 OF 3

REV B

DETAIL A
SCALE 2:1



4

3

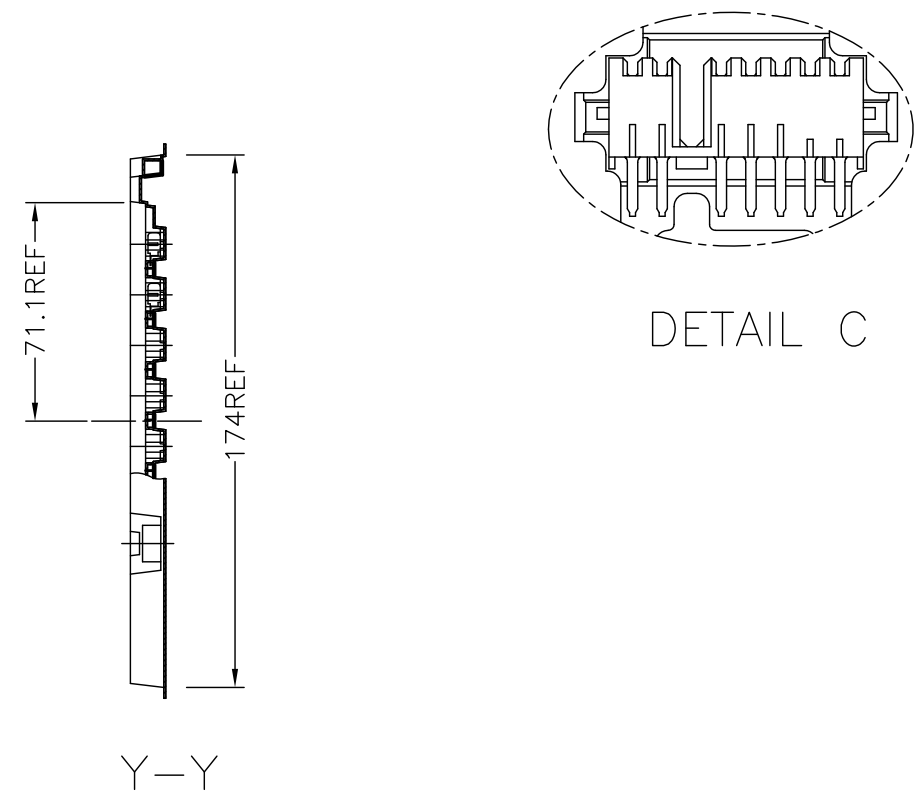
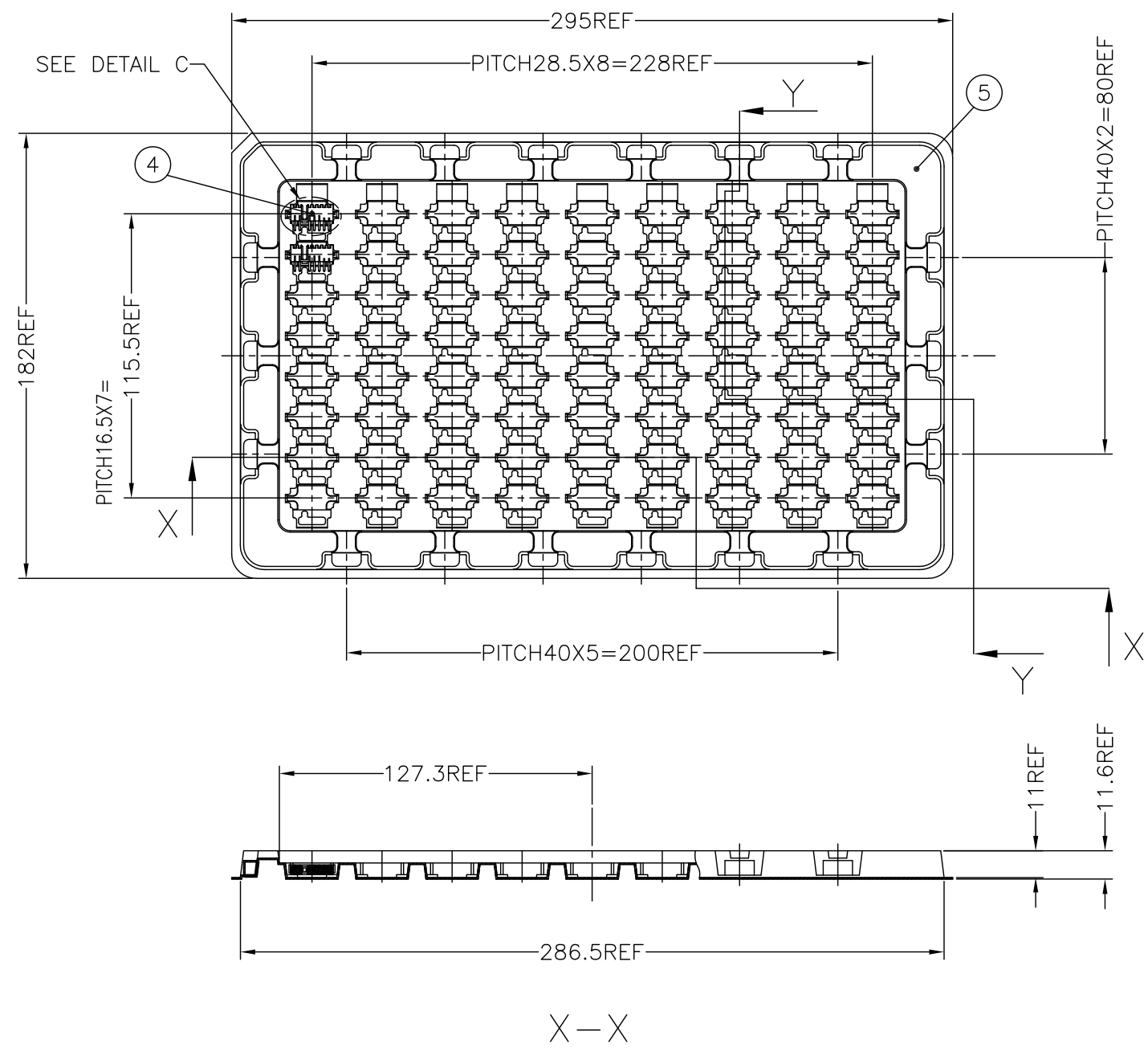
2

1

THIS DRAWING IS UNPUBLISHED. RELEASED FOR PUBLICATION SEP ,2012.
 © COPYRIGHT 2012 By Tyco Electronics Japan G.K. ALL RIGHTS RESERVED.

LOC	DIST	REVISIONS					
DW		P	LTR	DESCRIPTION	DATE	DWN	APVD
		-		SEE SHEET 1	-	-	-

1-2229293-1; AS SHOWN



PART NUMBER		
1-2229293-1		
1	TRAY	⑤
72	1-2229294-1	④
QTY REQD PER ASSY	COMPONENT NAME	NO.

THIS DRAWING IS A CONTROLLED DOCUMENT.		DWN	STE TE Connectivity			
DIMENSIONS: mm		CHK				
TOLERANCES UNLESS OTHERWISE SPECIFIED:		APVD	NAME 2mm PITCH BATTERY REC. ASSEMBLY 7POS. H=4.0 PACKING			
0 PLC ± 0.3		PRODUCT SPEC				
1 PLC ± 0.3		APPLICATION SPEC	SIZE	CAGE CODE	DRAWING NO	RESTRICTED TO
2 PLC ± 0.3		WEIGHT	A3	00779	④-2229293	-
3 PLC ± 0.3		CUSTOMER DRAWING	SCALE 2:1		SHEET 2 OF 3	REV B
4 PLC ± 0.3						
ANGLES ± 3'						
MATERIAL						
FINISH						

THIS DRAWING IS UNPUBLISHED.

RELEASED FOR PUBLICATION

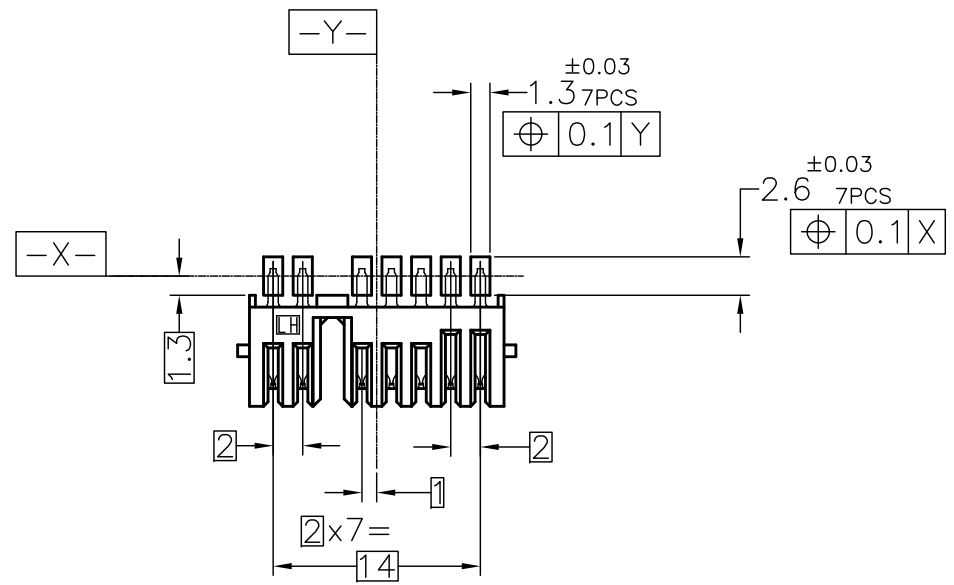
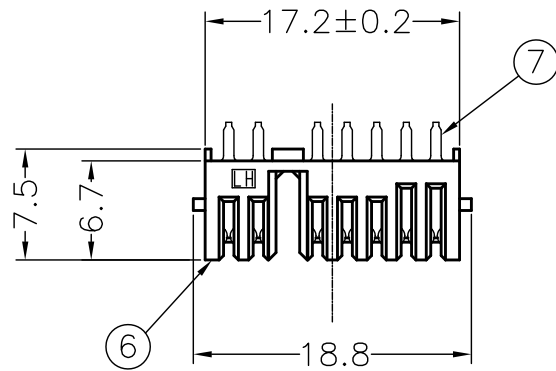
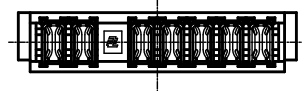
SEP ,2012.

© COPYRIGHT 2012 By Tyco Electronics Japan G.K.

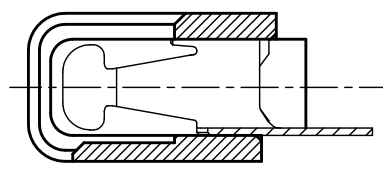
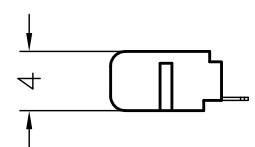
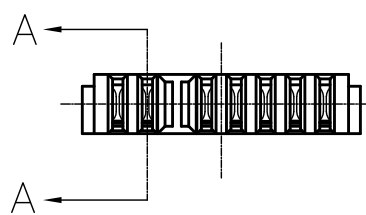
ALL RIGHTS RESERVED.

LOC	DIST	REVISIONS					
DW		P	LTR	DESCRIPTION	DATE	DWN	APVD
		-		SEE SHEET 1	-	-	-

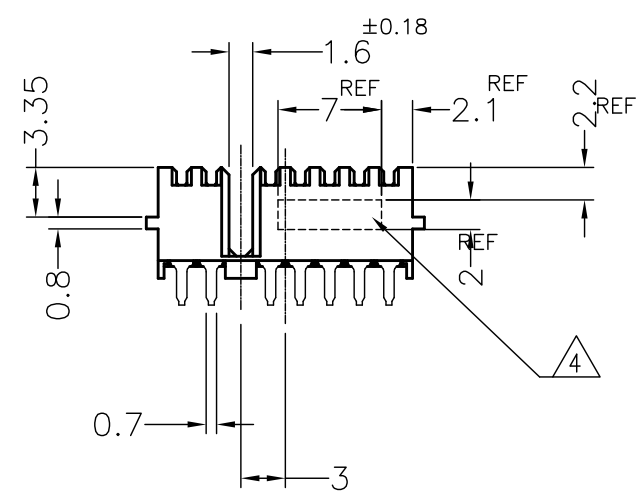
CONNECTOR W/O PACKING CONDITION



REFERENCE P.C.BOARD LAYOUT
P.C.BOARD THICKNESS : 0.8~1.2
(VIEW FROM CONNECTOR MOUNTING SIDE)



A-A
(SCALE 5:1)



PART NUMBER			
1-2229294-1	2229294-1		
7	7	CONTACT	⑦
1	1	HOUSING	⑥
QTY REQD PER ASSY		COMPONENT NAME	NO.

THIS DRAWING IS A CONTROLLED DOCUMENT.		DWN	STE TE Connectivity	
DIMENSIONS: mm		CHK		
TOLERANCES UNLESS OTHERWISE SPECIFIED:		APVD	NAME	
0 PLC ± 0.3		PRODUCT SPEC	2mm PITCH BATTERY REC. ASSEMBLY 7POS. H=4.0	
1 PLC ± 0.3		APPLICATION SPEC	PACKING	
2 PLC ± 0.3		WEIGHT	SIZE	CAGE CODE
3 PLC ± 0.3		0.7g	A3	00779
4 PLC ± 0.3		CUSTOMER DRAWING	DRAWING NO	RESTRICTED TO
ANGLES ± 3'			C-2229293	
MATERIAL	FINISH		SCALE	SHEET
②	③		2:1	3 of 3
				REV B